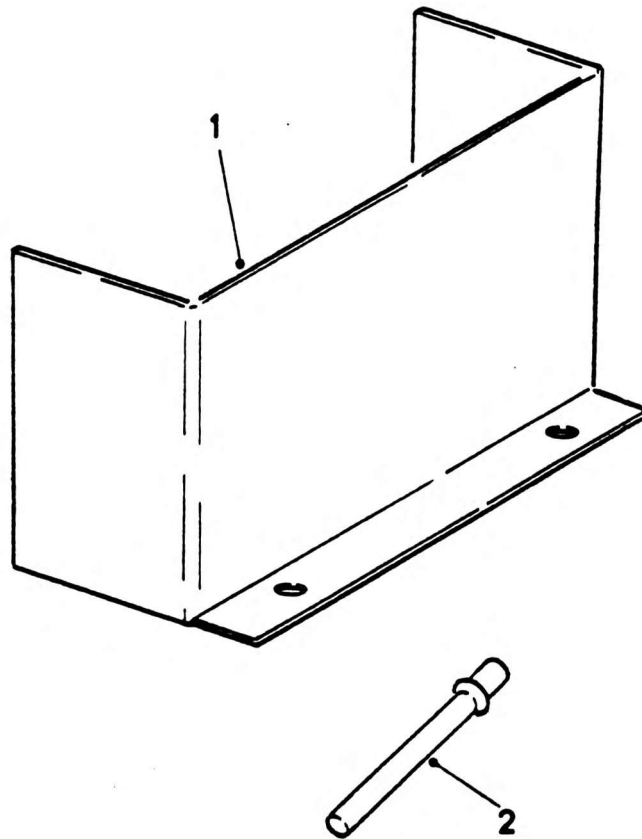


DOCUMENT HOLDER ASSEMBLY



NO.	PART NO.	QTY.	DESCRIPTION	NO.	PART NO.	QTY.	DESCRIPTION
1	6-531-990020	1	Document Pocket				
2	501741	2	Rivit				